



Innovative ideas,
inspired living

Exterior

Installation Guide:

Wall Cladding / Deck for Wall

Tools & Materials

The diagrams and instructions described in this guide are for illustrative purposes only. They are based on our recommendations, and a professional should be consulted prior to installation if something different from what is shown is required, as this guide is not intended to replace professional advice.

The consumer assumes all risks and responsibilities associated with the construction and use of this product.

Material damaged during installation is not covered under the warranties of SARO TECH US and/or its subsidiaries, parent companies, related parties, and/or affiliates.

Tape Measure



Metal Carpenters Square



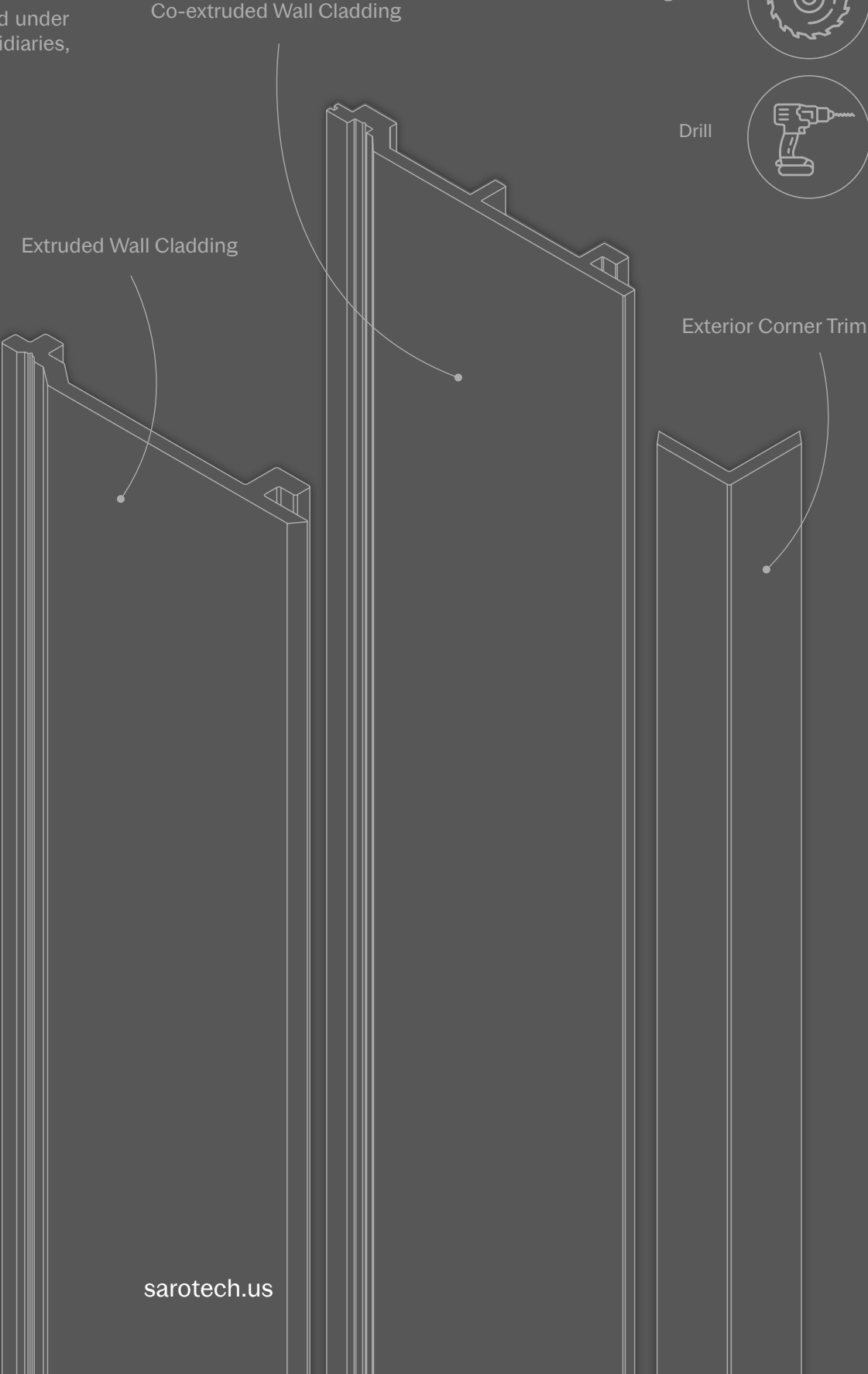
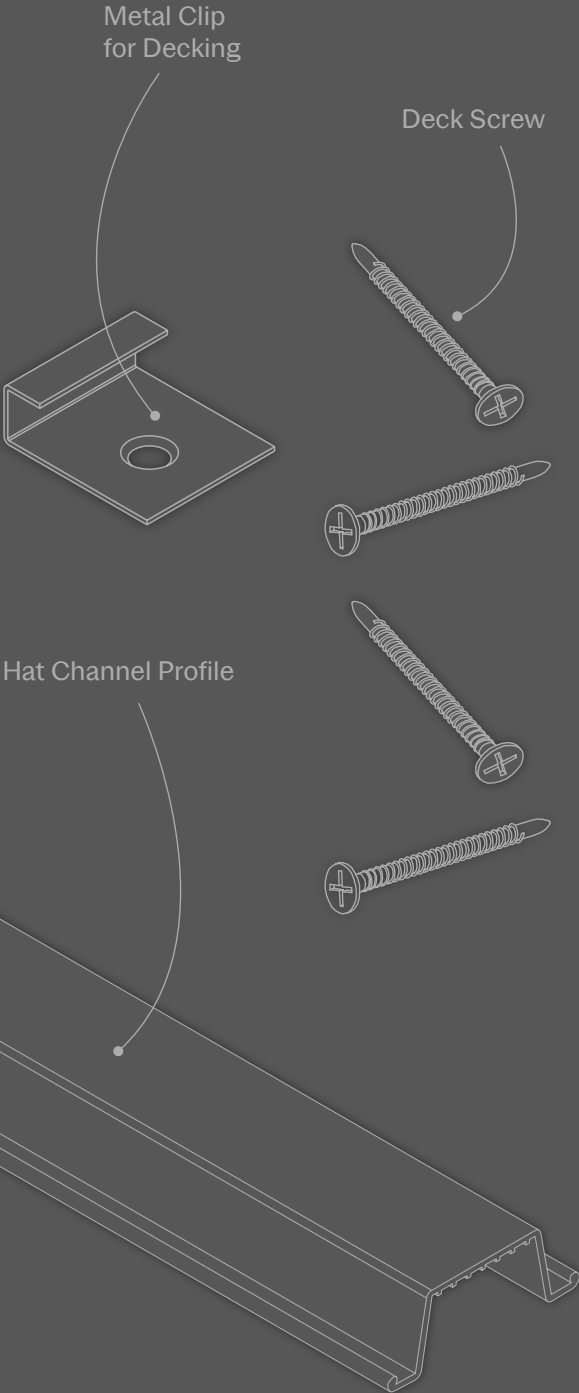
Pencil



Cutting Tool



Drill



IMPORTANT

To prevent accidents during installation, it is recommended that the material be handled by two people.

This material is not designed to be used as a column or load-bearing support.

1. MEASURE THE WORK AREA

Measure the lengths of the space where the wall cladding/wall deck will be installed, and based on the square meters, calculate the number of pieces required to cover the area.

Prepare your work area by ensuring that the surface is flat, leveled, stable, and free of debris that could interfere with proper installation of the material.

Tools



The wall cladding/wall deck must be installed on an aluminum or metal frame and not directly on walls or ceilings.

2. INSTALL THE FRAME

Build a frame using channel slat profiles. The profiles should be installed 40 centimeters apart from each other and positioned perpendicular to the direction in which the wall cladding pieces will be installed on the surface (Illustrations 2 & 3).

Tools



Illustration 1

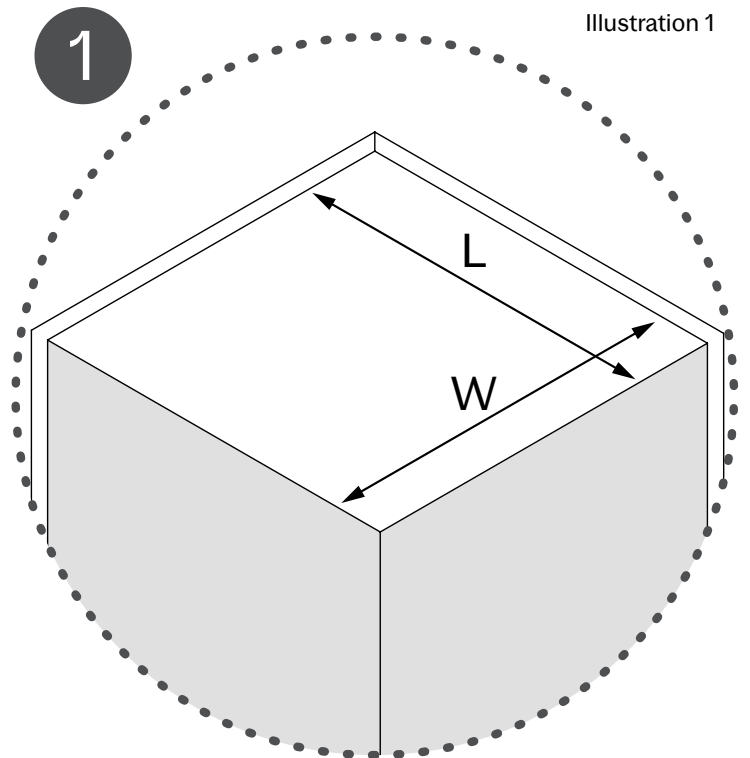


Illustration 2

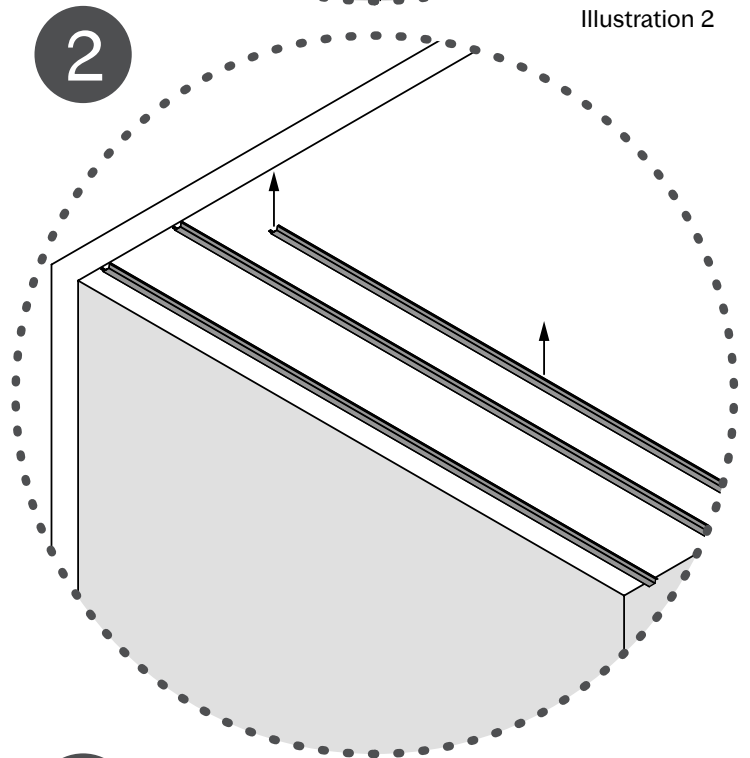


Illustration 3

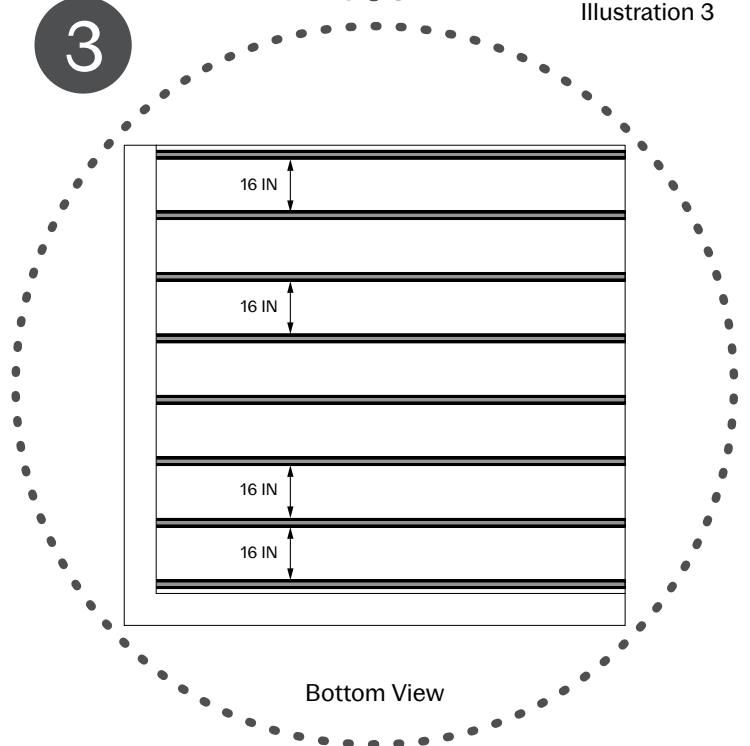


Illustration 4

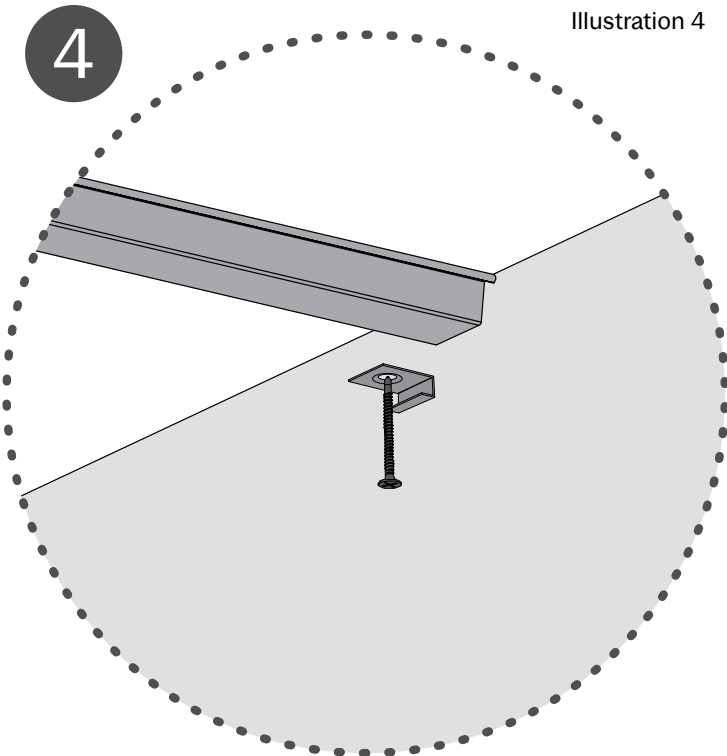


Illustration 5

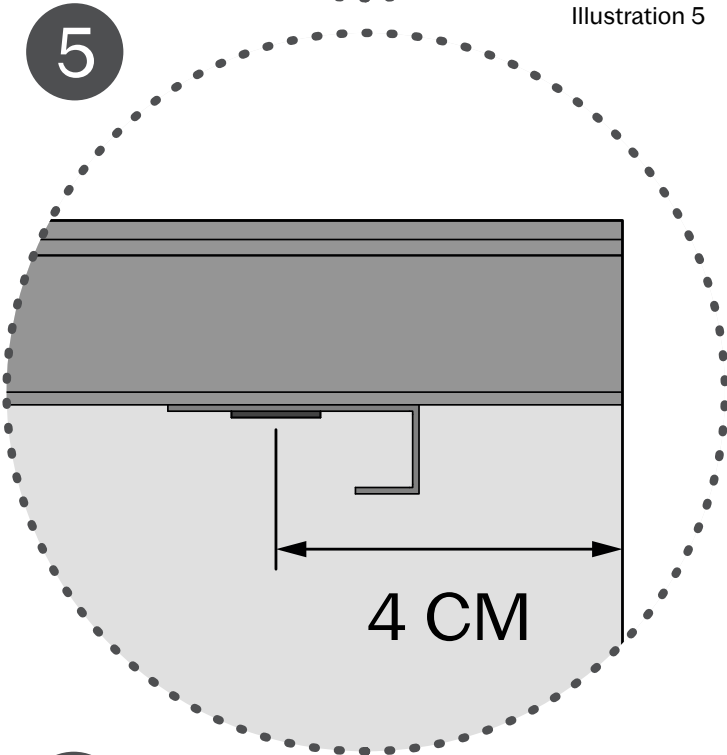
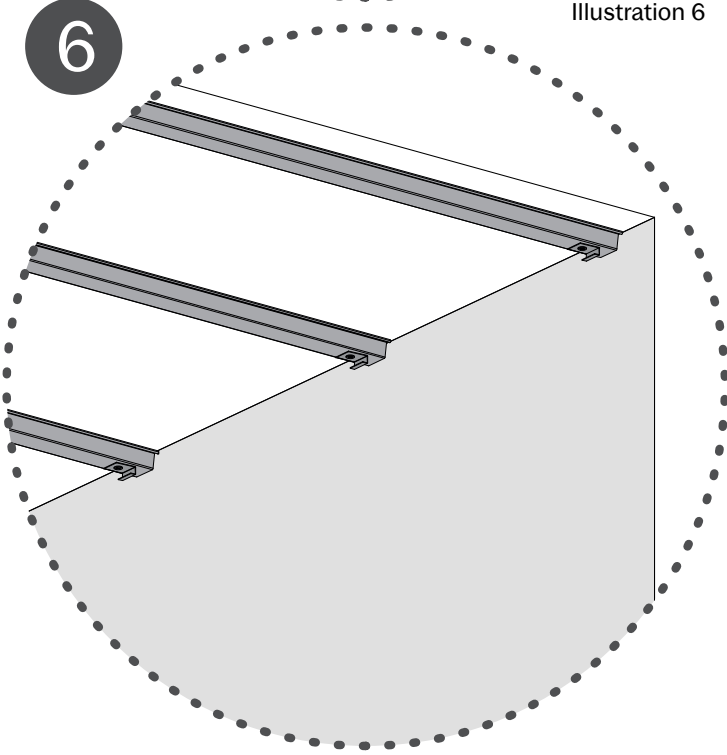


Illustration 6



3. INSTALL METAL CLIPS

Secure a metal deck clip to each channel slat using deck screws (Illustrations 4 & 6).

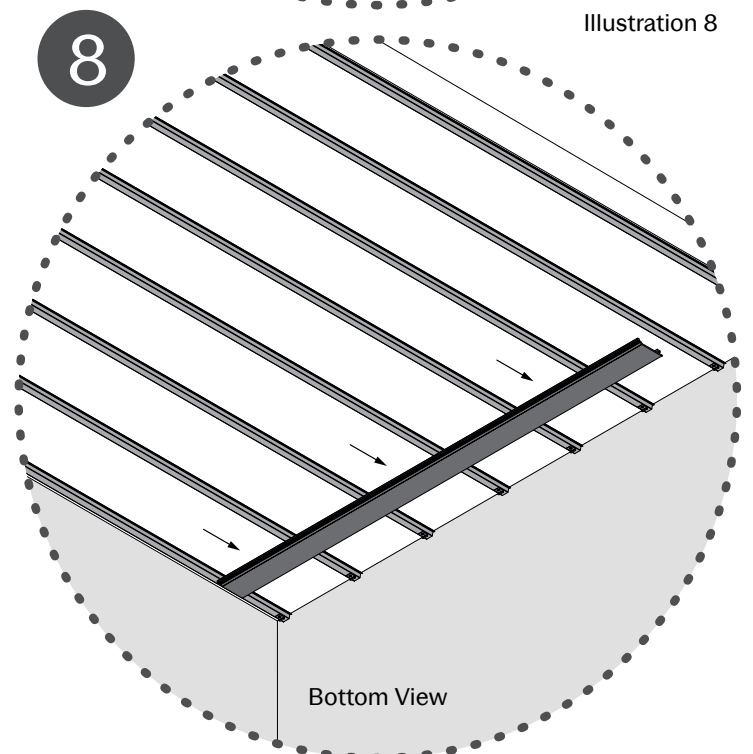
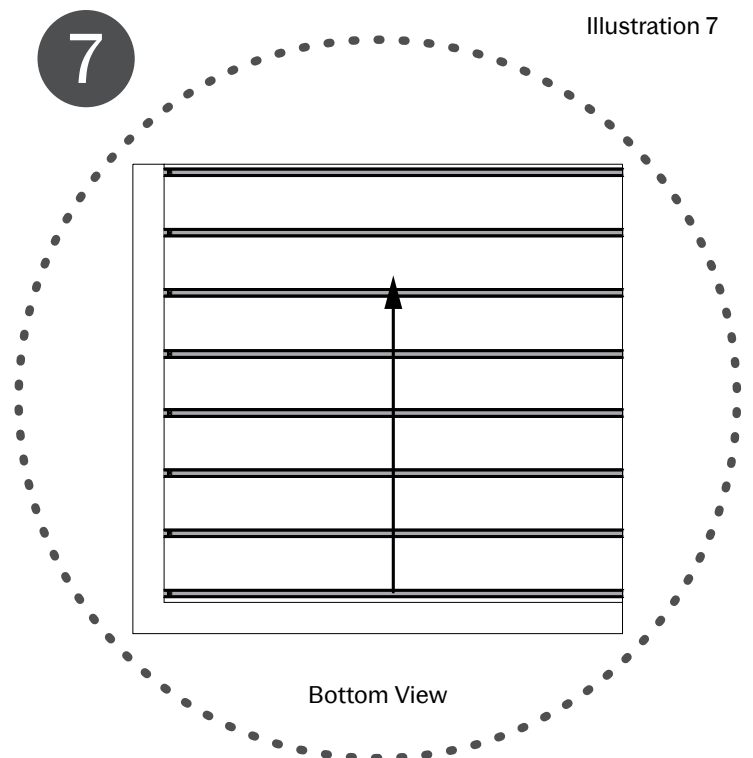
If there is a side wall, place the metal clips at a distance of 4 centimeters from where the channel slat begins (Illustrations 5 & 6).

Tools

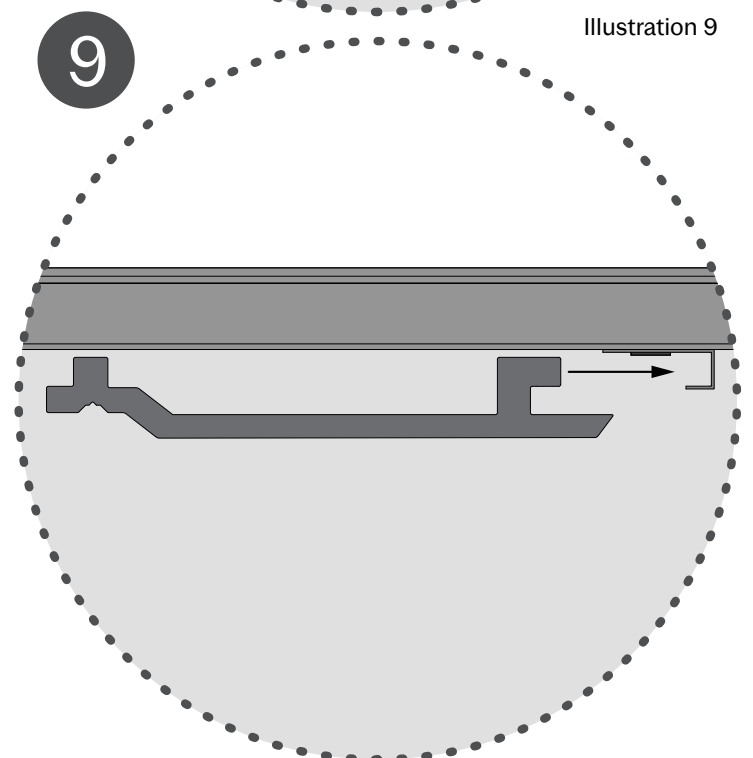


4. INSTALL THE FIRST PIECE

Place the first wall cladding piece perpendicular to the direction of the channel slat profile installation (Illustrations 7 & 8).

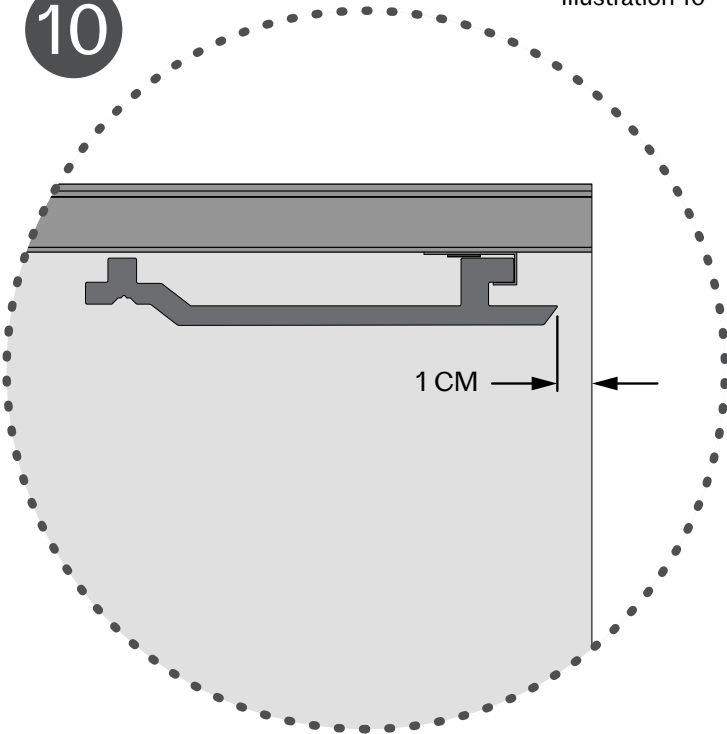


5. Fit the rear tab into the metal deck clip (Illustration 9).



10

Illustration 10



6.

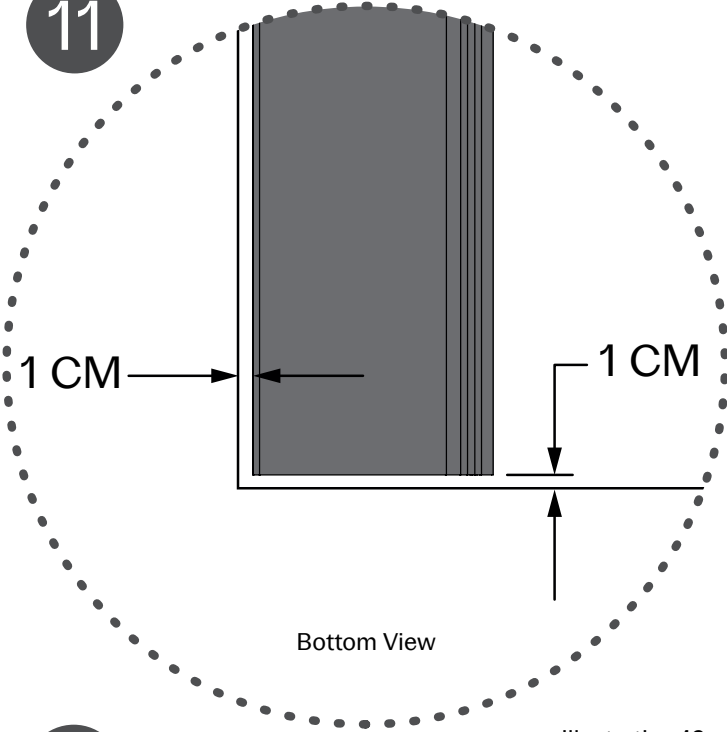
Once the piece is placed into the metal clip, make sure there is a minimum distance of 1 centimeter between the wall and the piece to prevent it from popping out in case the material expands or contracts.

Tools



11

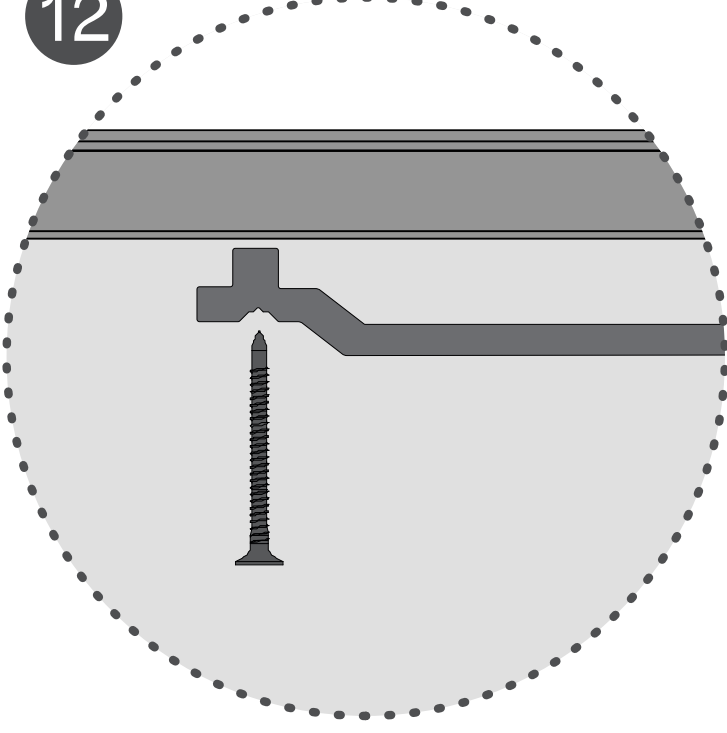
Illustration 11



Bottom View

12

Illustration 12



7.

Secure the piece to the channel slat using deck screws through the side tab of the piece, as shown in illustration 12.

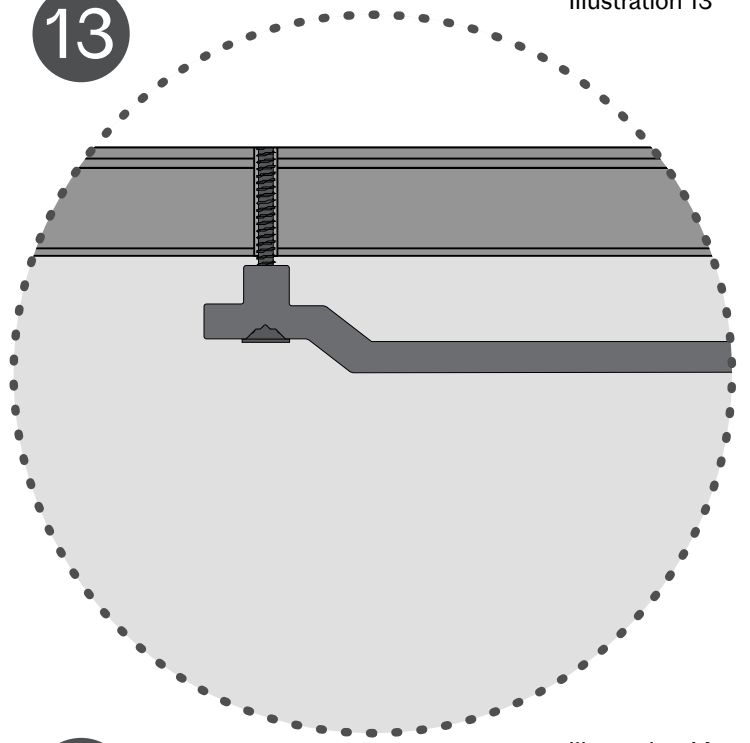
Repeat Step 7 to finish securing the first piece to each channel slat profile (Illustrations 13 & 14).

Tools



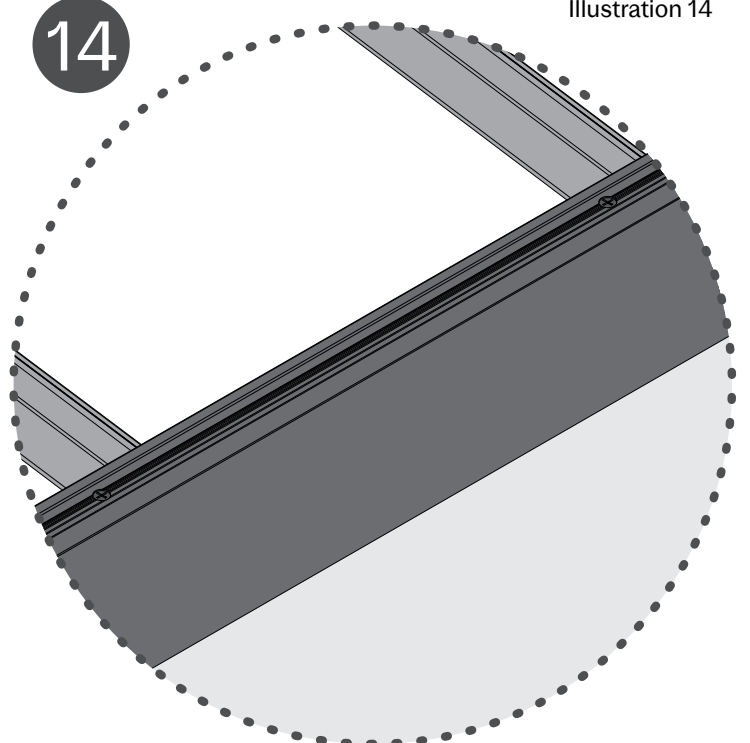
13

Illustration 13



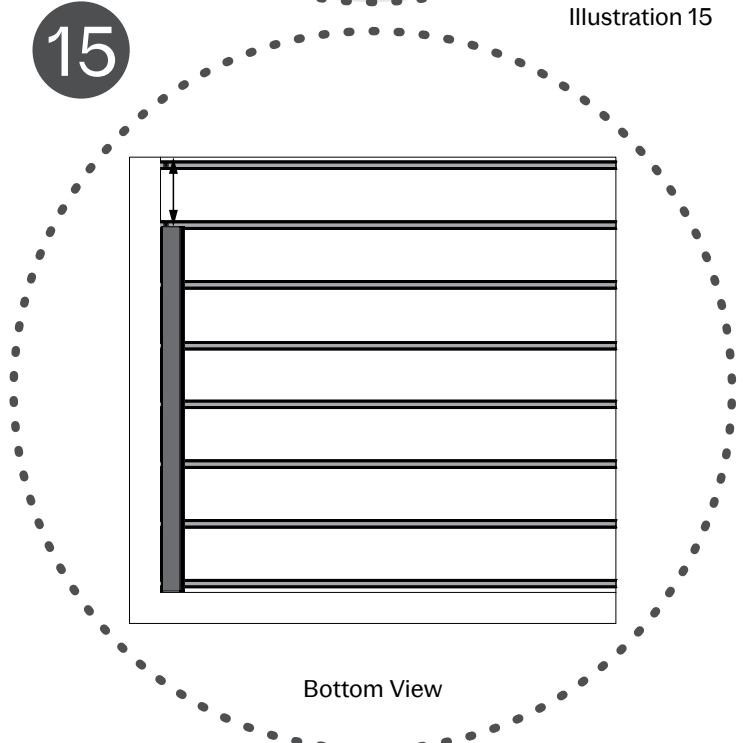
14

Illustration 14



15

Illustration 15



8. MEASURE AND ADJUST THE MATERIAL

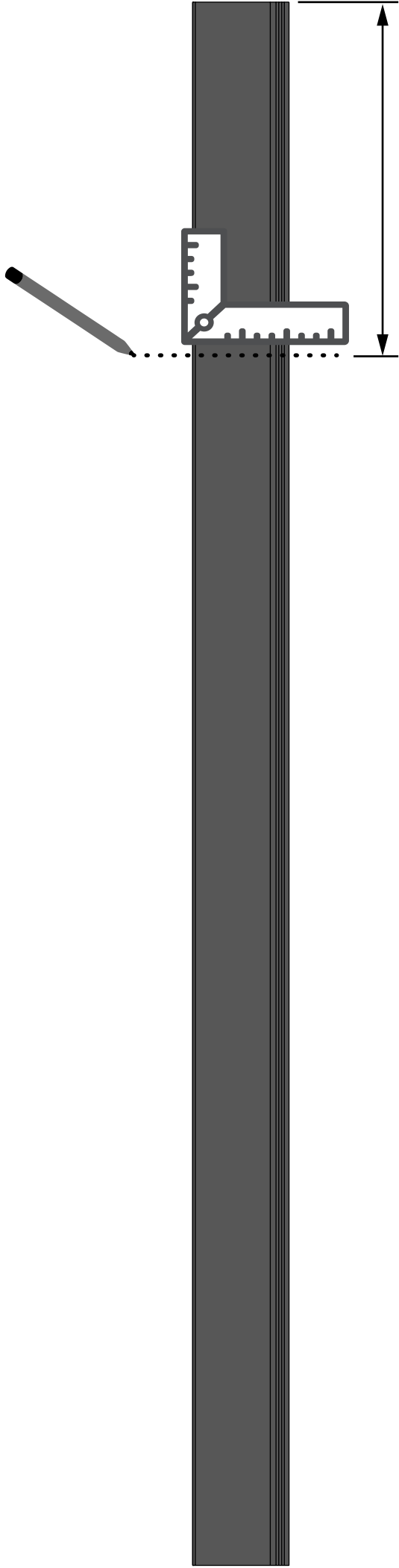
Using a tape measure or the measuring tool of your choice, measure the length required for the next piece to be installed.

Tools



16

Illustration 16



- 9. Based on the measurements taken, mark the length required for the next piece to be installed.

You can use a pencil and a square to draw a guide indicating where to make the cut (Illustration 16).

Tools



10. Adjust the length of the material by cutting it according to the measurements taken.

Recommended Cutting Tools:

- Wood Cutting Blade, 75–100 teeth
- Handheld Router

Cutting Tools Not Recommended:

- Hand Saw
- Coping Saw

11. Repeat Steps 5, 6, and 7 to install the piece.

For the next row, you can use the remaining piece from the cut of the first piece.

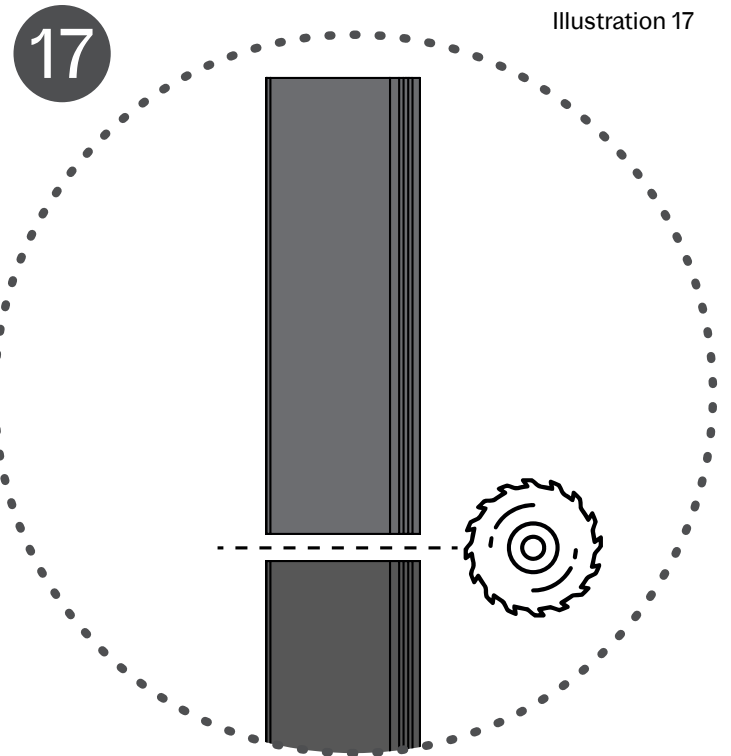


Illustration 17

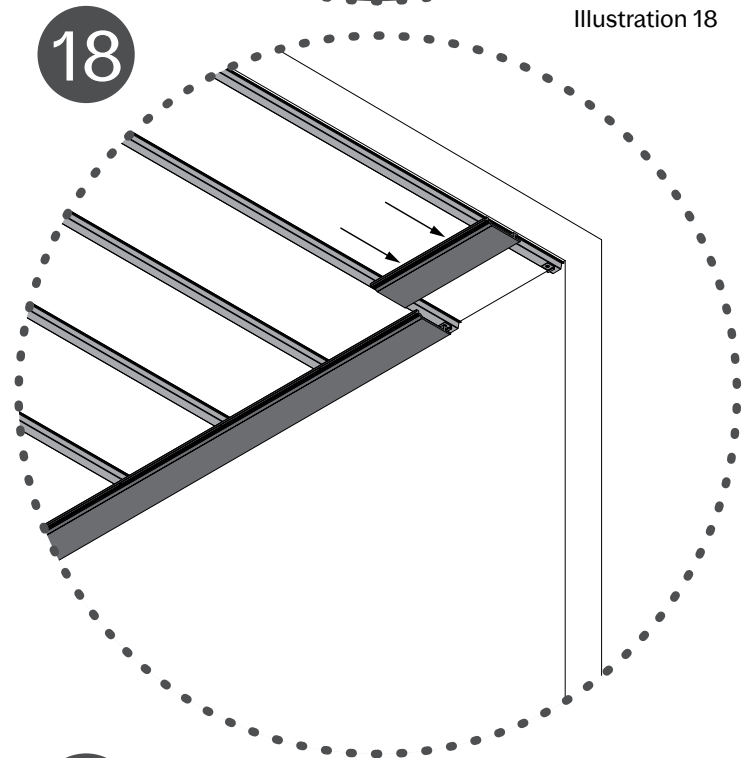


Illustration 18

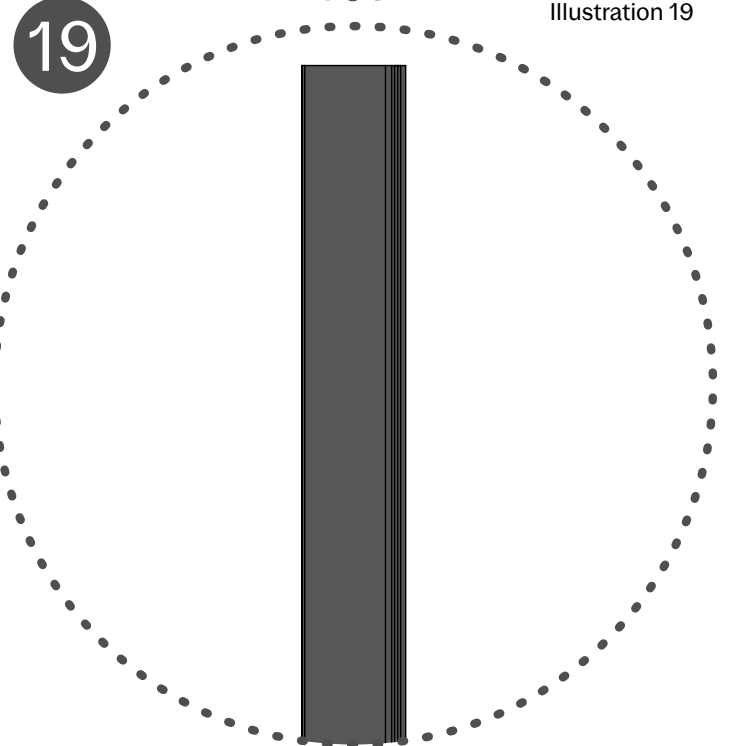
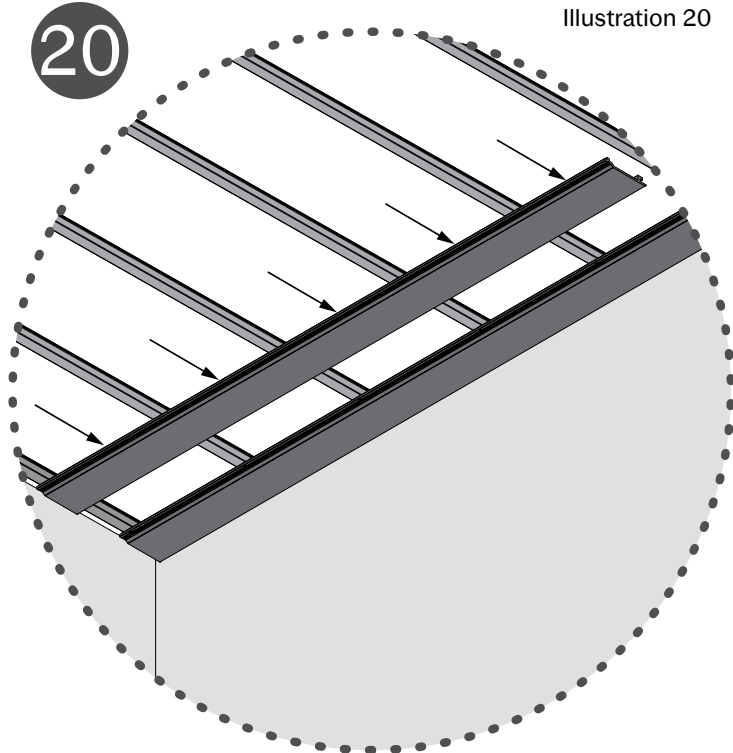


Illustration 19

20

Illustration 20

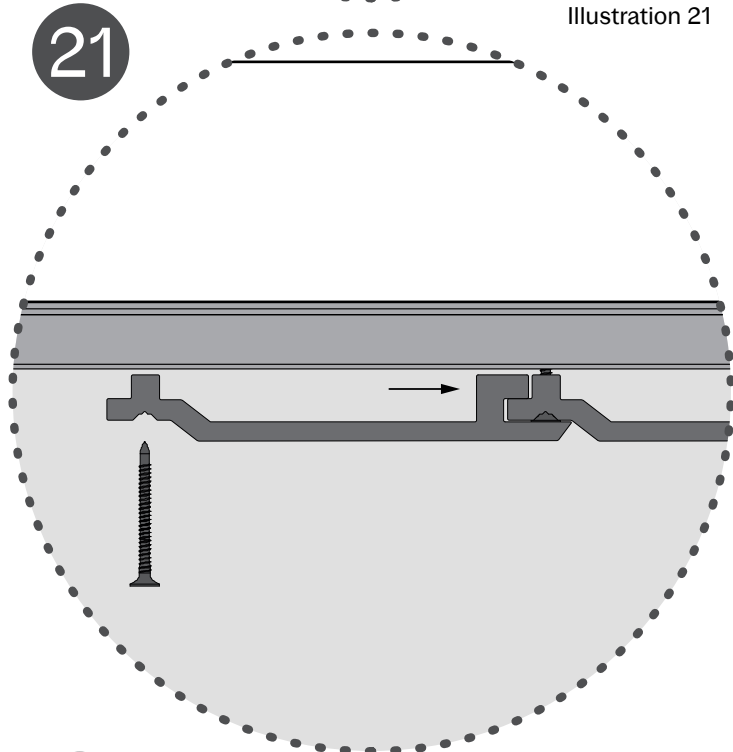


12. FIRST PIECE IN THE SECOND ROW

Position the next wall cladding piece by fitting the rear tab into the side tab of the previously installed piece (Illustration 20).

21

Illustration 21



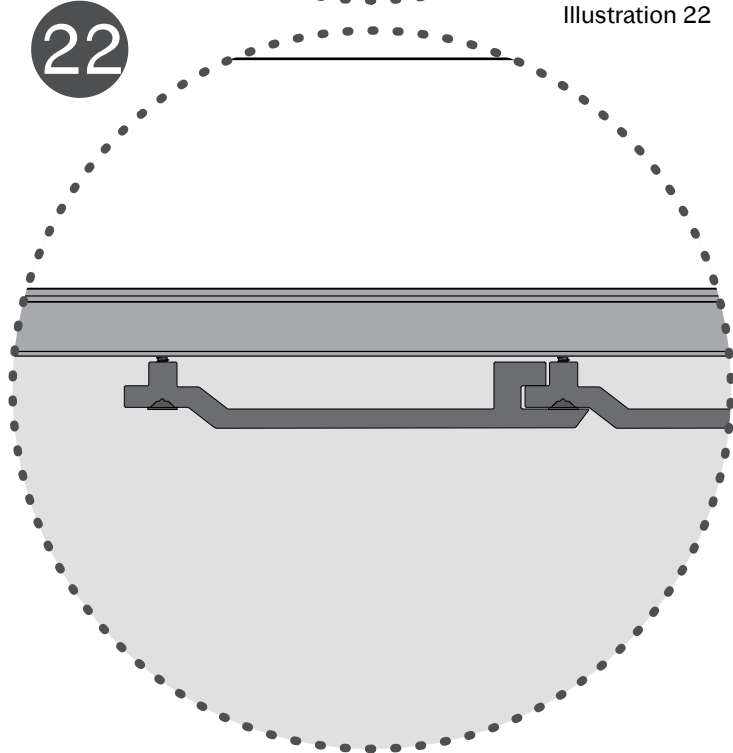
13. Secure the piece to each channel slat using deck screws through the side tab of the piece, as done in Step 7 (Illustrations 21 & 22).

Tools



22

Illustration 22



14. We continue placing the remaining pieces by repeating Steps 12 and 13.

Tools



15. If you need to install spotlights to allow electrical cables to pass through, you can use a hole punch to make the cut (Illustrations 24 & 25).

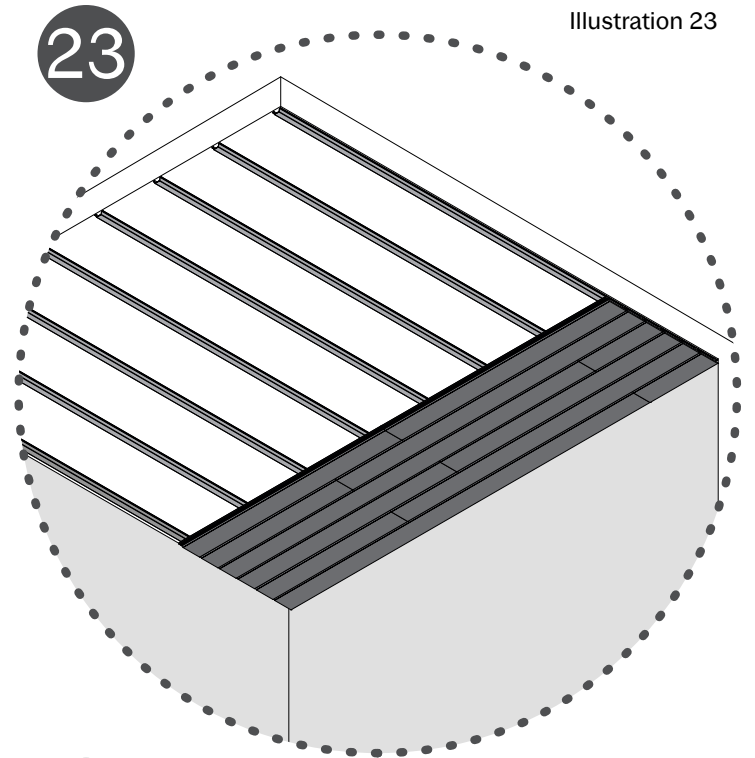


Illustration 23

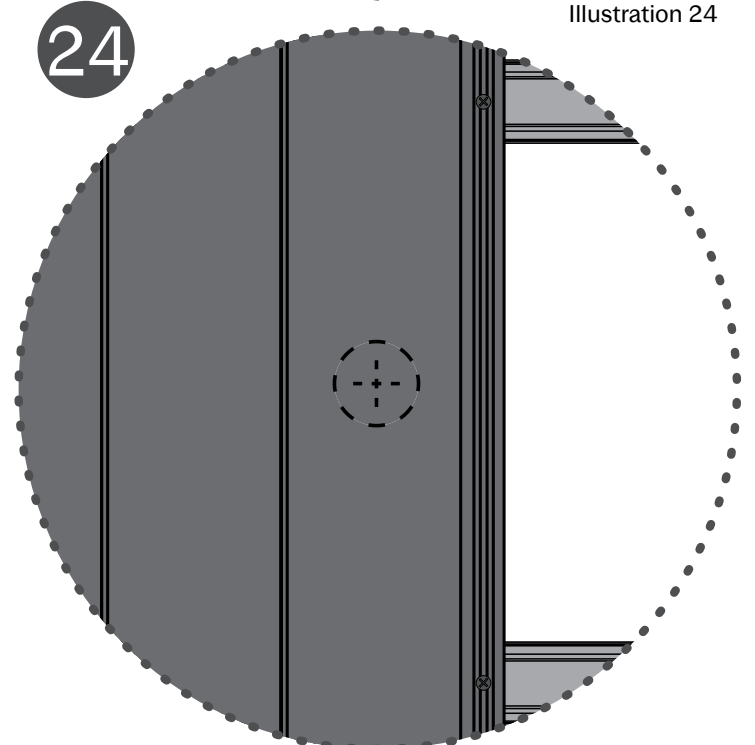


Illustration 24

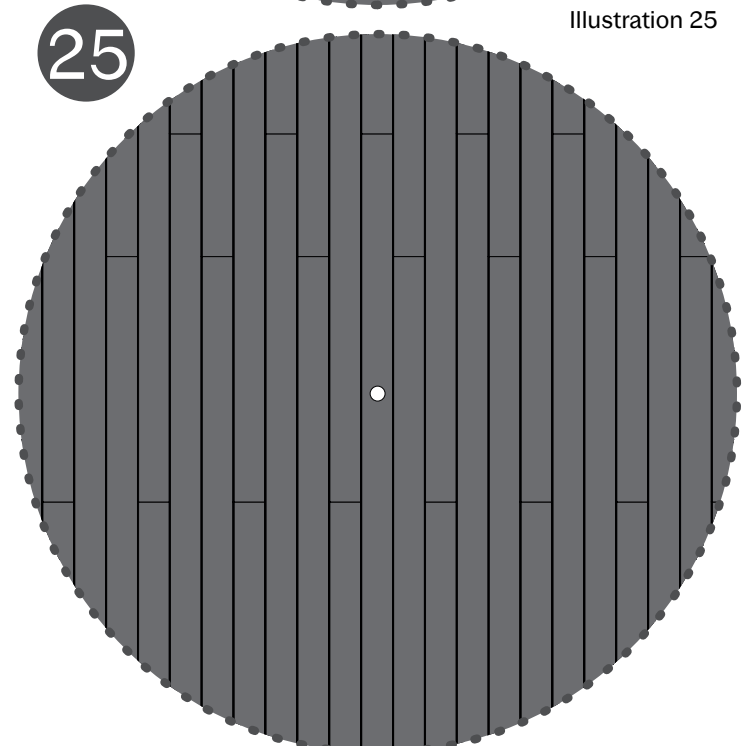


Illustration 25

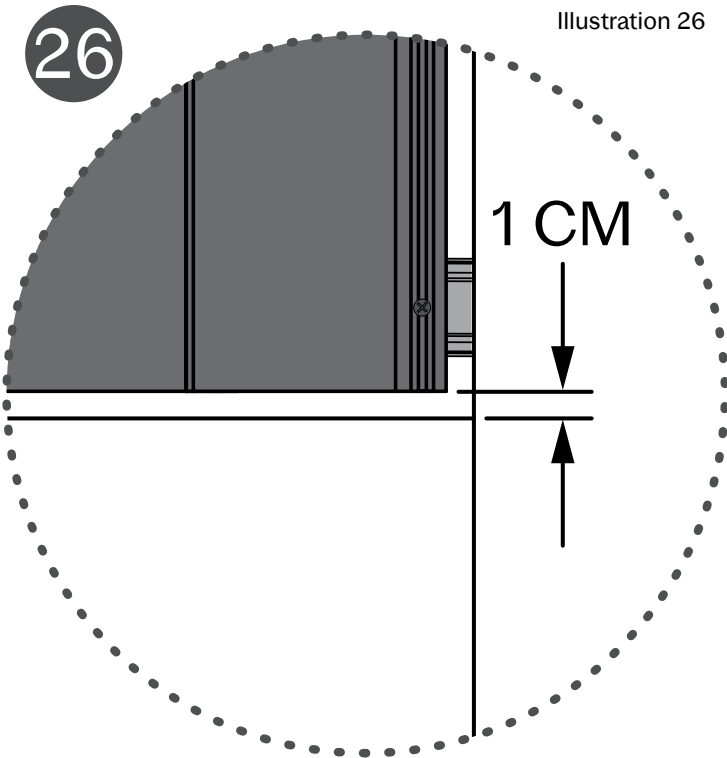


Illustration 26

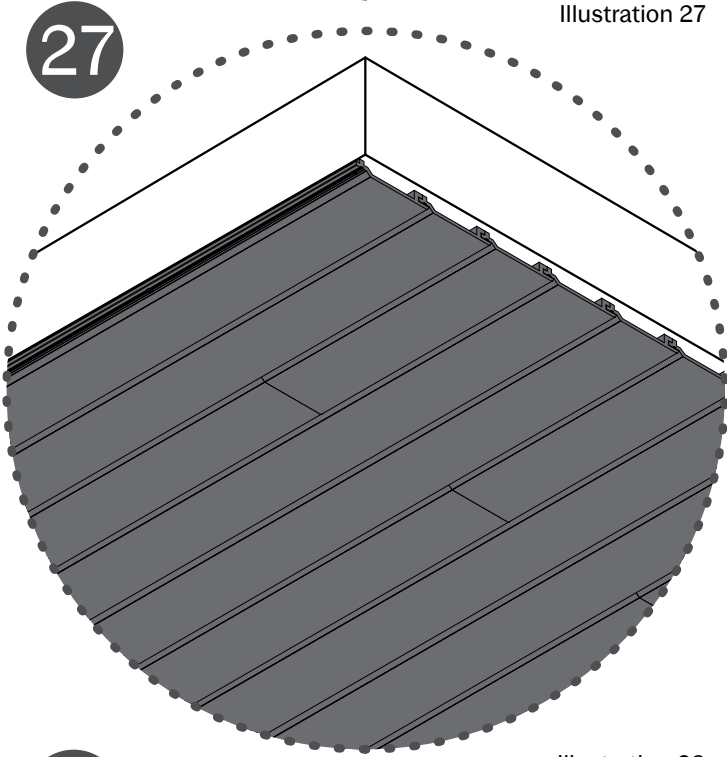


Illustration 27

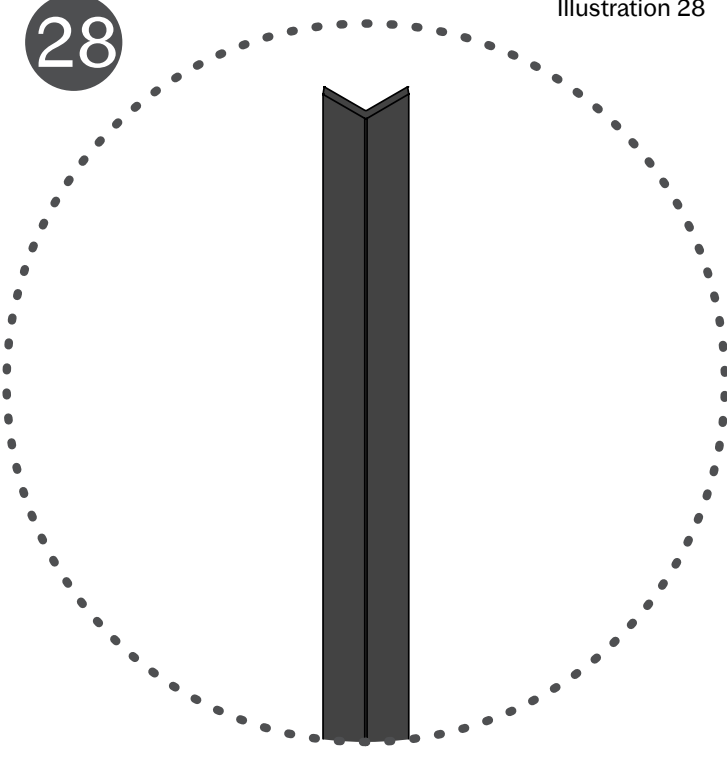


Illustration 28

Before securing the final piece, make sure that the distance between the wall and the material is 1 centimeter to prevent the pieces from popping out in case the material expands or contracts.

16. COVER THE EDGES

Once the installation of the wall cladding pieces is complete, we can install the exterior corner trim to cover the edges or finishing points of the material (Illustrations 27 & 28).

17. Using a tape measure, measure the length of the space where the exterior corner trim will be installed.

Remember that a coextruded corner trim covers approximately 9.5 linear feet, and an extruded corner trim covers approximately 7.9 linear feet



18. SECURE THE CORNER TRIM

Place the corner trim over the visible edge of the material that needs to be covered and secure it using a deck screw (Illustrations 30 & 31).



29

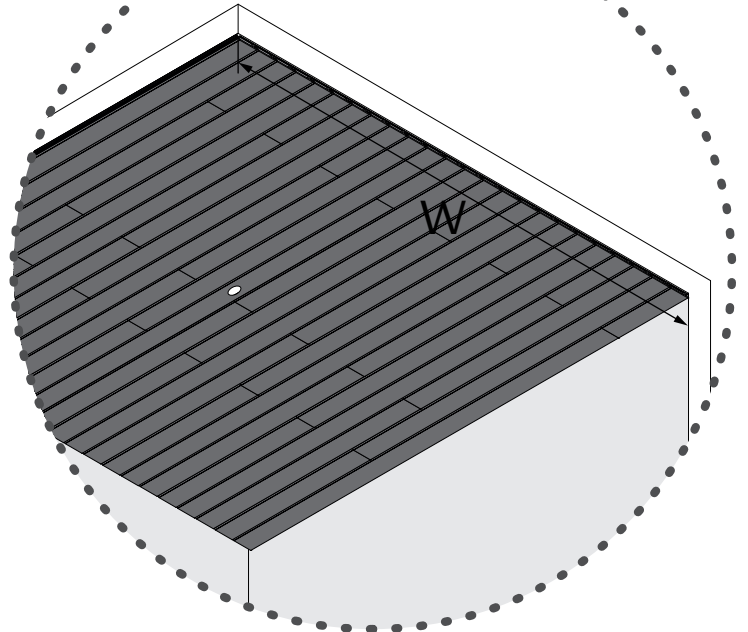


Illustration 29

30

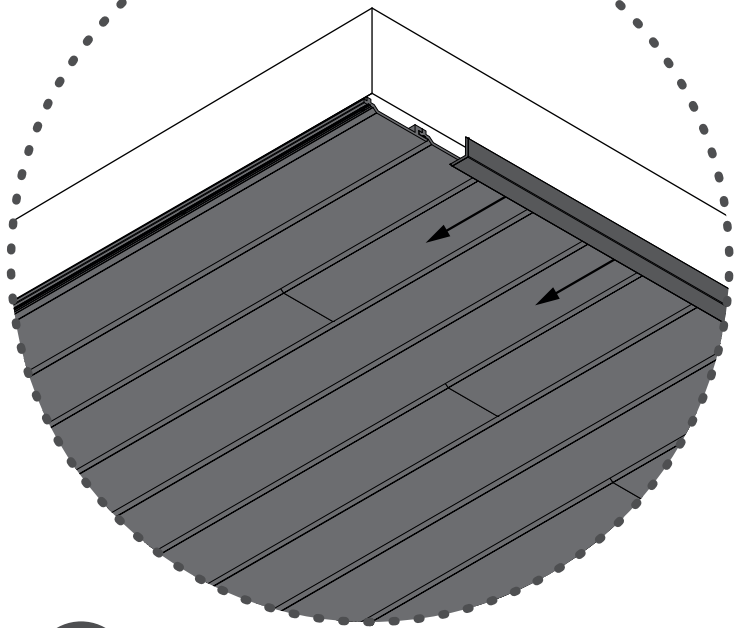


Illustration 30

31

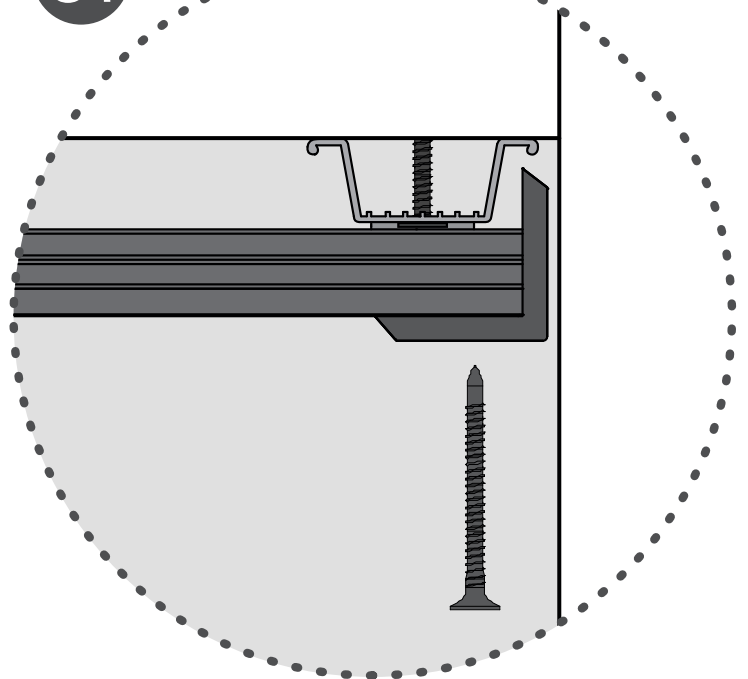


Illustration 31

Illustration 32

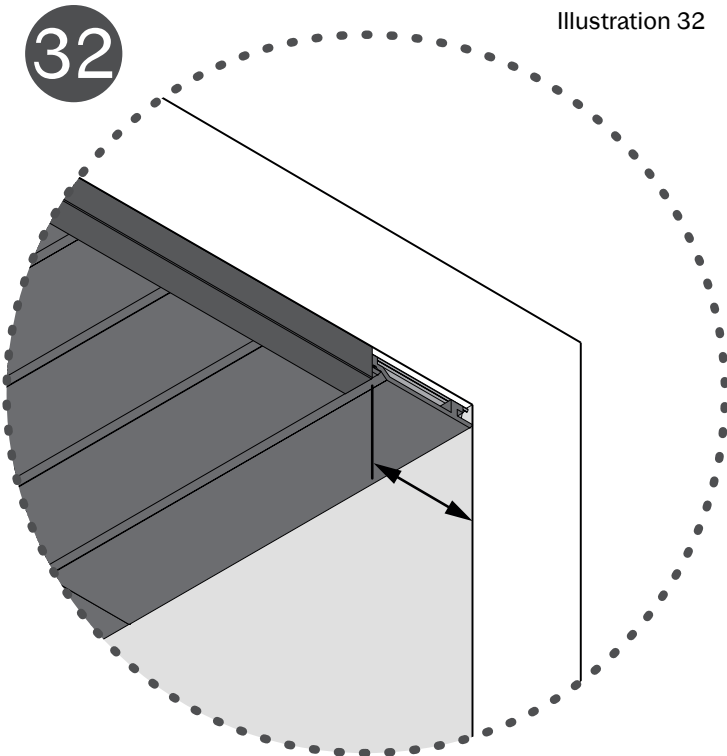


Illustration 33

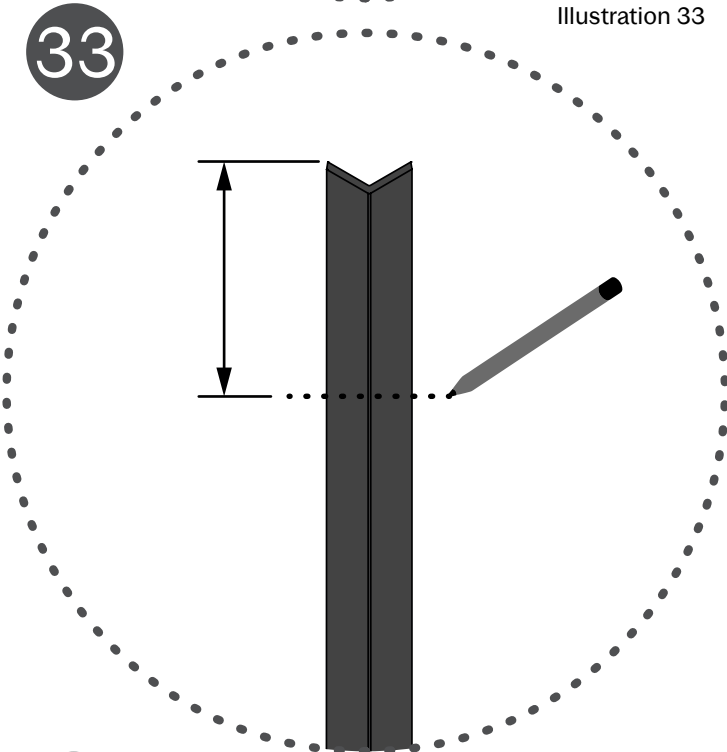
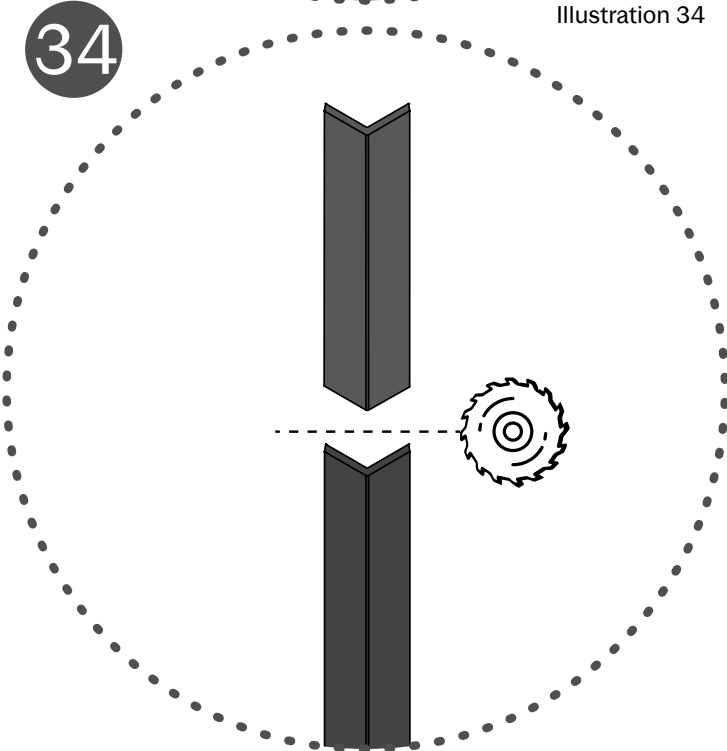


Illustration 34



19. Measure the length required for the next piece to be installed.

You can use a pencil to mark a guide on the piece to show where the cut should be made (Illustration 33).

Tools



20. Adjust the length of the material by making the cut according to the measurements taken.

Recommended Cutting Tools:

- Wood Cutting Blade, 75–100 teeth
- Handheld Router

Cutting Tools Not Recommended:

- Hand Saw
- Coping Saw

21. Repeat Step 18 to secure the piece over the visible edge of the material that needs to be covered.

Tools



22. Repeat Steps 17, 18, 19, and 20 to secure the remaining pieces over the areas of the material you want to cover.

Tools



Illustration 35

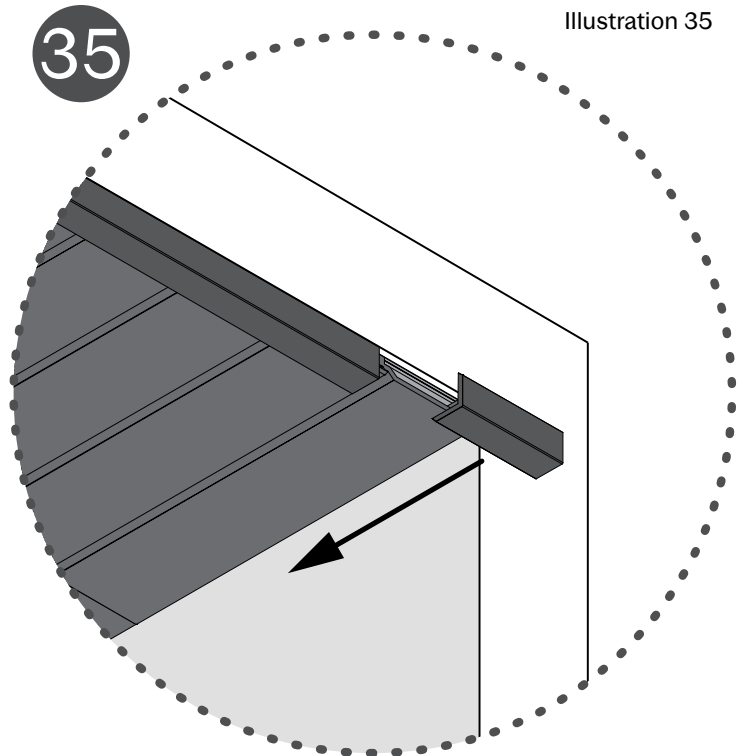


Illustration 36

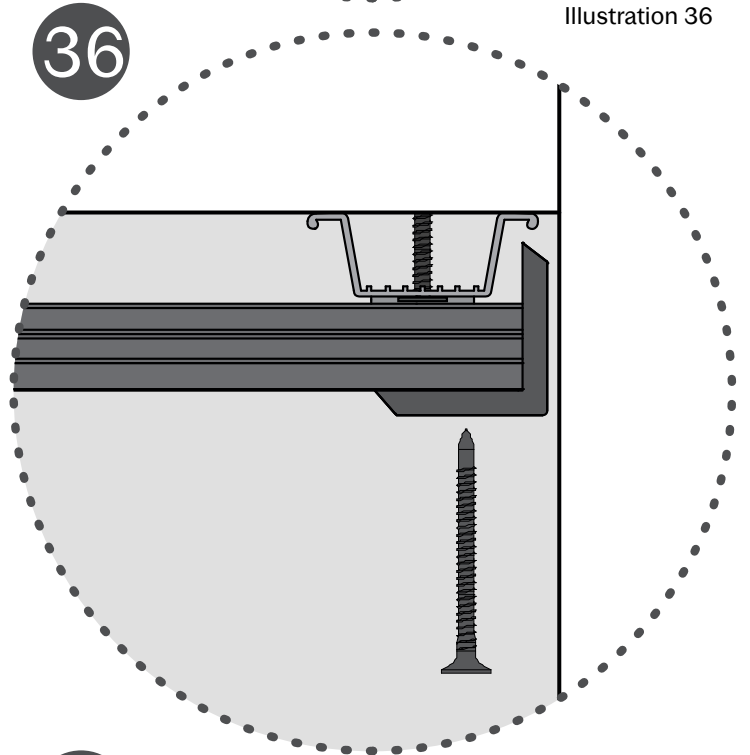
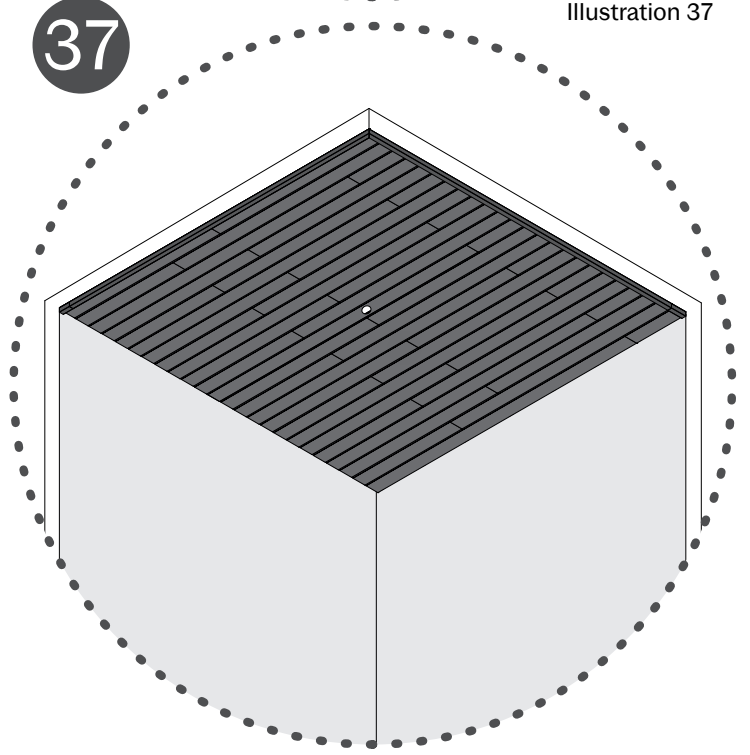
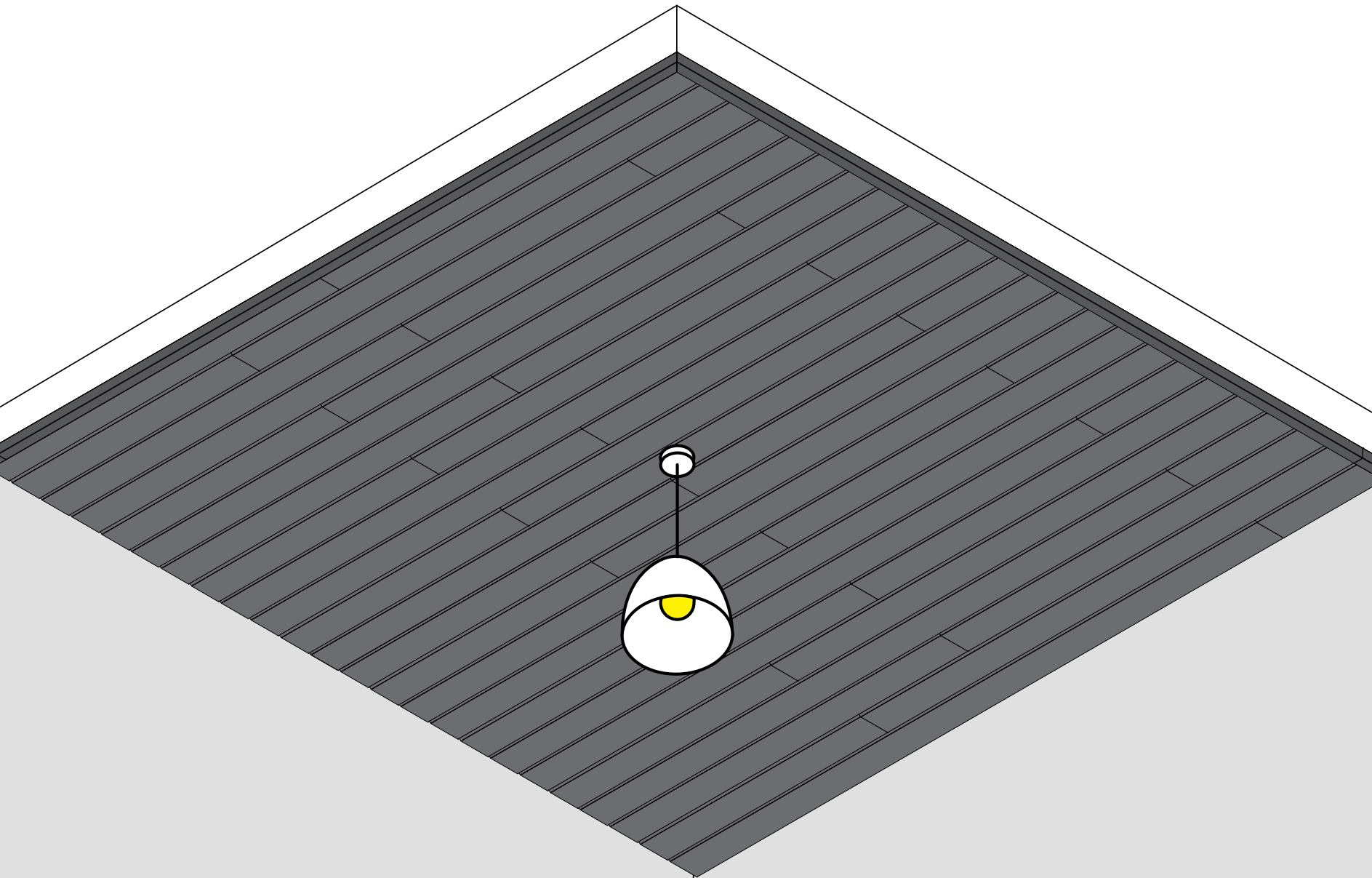


Illustration 37

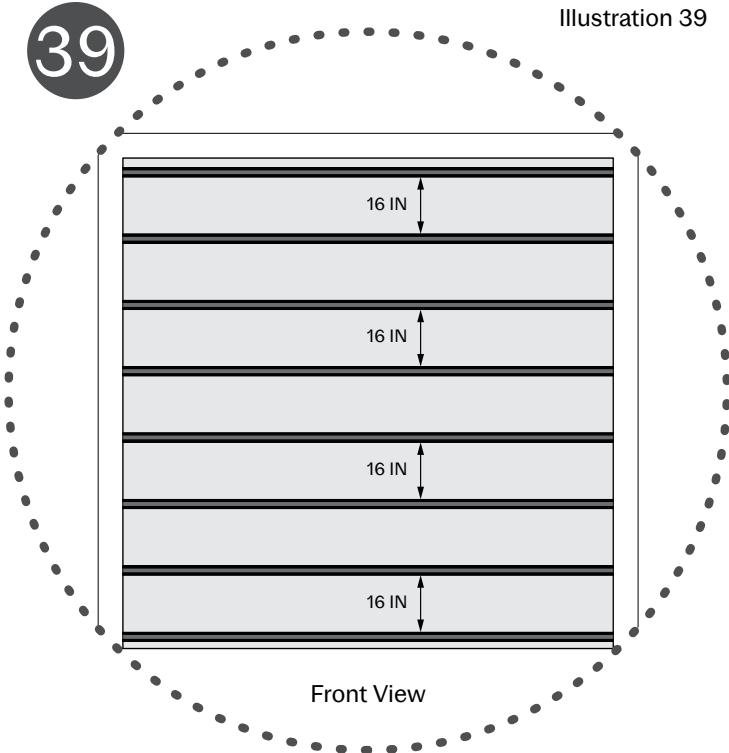


Decorate and enjoy your space...



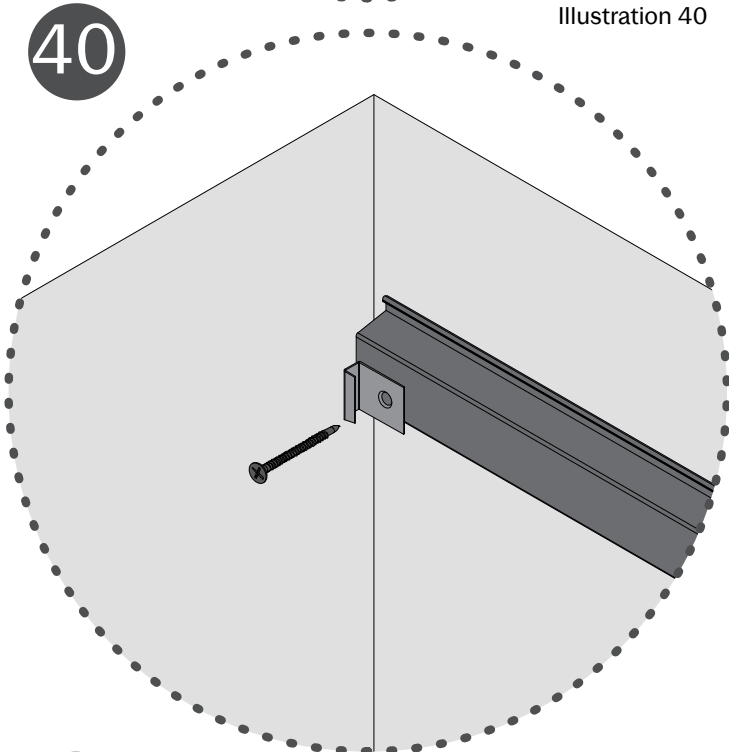
39

Illustration 39



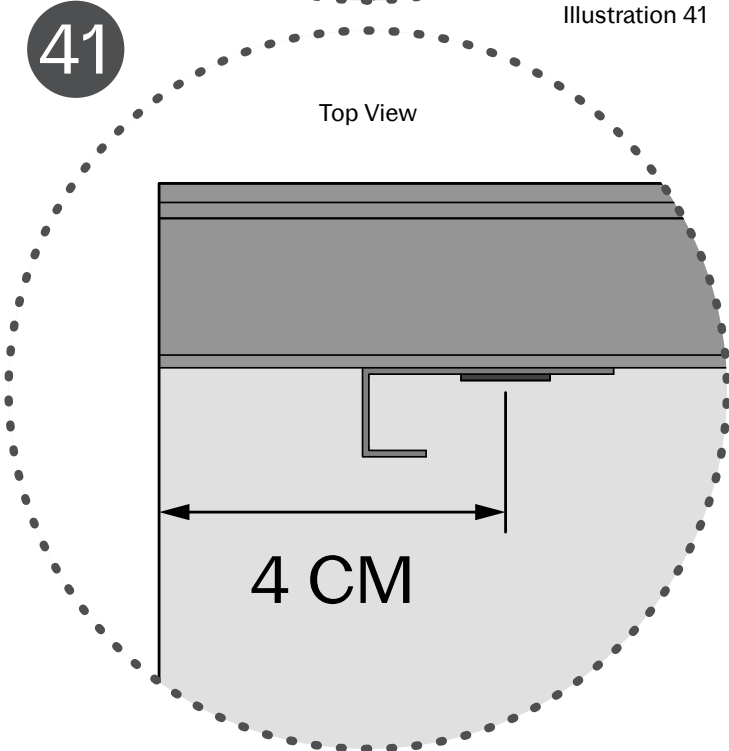
40

Illustration 40



41

Illustration 41



WALL INSTALLATION

To install the wall cladding on a wall, the same installation concept mentioned previously must be followed.

- 23. As indicated in Step 2, a frame must be installed using channel batten profiles, placing them 16 inches apart from each other and perpendicular to the direction in which the pieces will be installed (Illustration 39).

Tools



- 24. INSTALL METAL CLIPS

Secure a metal deck clip to each of the channel battens using deck screws (Illustration 40).

If there is a side wall, make sure to place the metal clips at a distance of 4 centimeters from where the channel batten begins (Illustration 41).

Tools



25. Fit the rear tab into the metal deck clip (Illustration 42).

26. Once the piece is placed into the metal clip, make sure there is a minimum distance of 1 centimeter between the wall and the piece to prevent it from popping out if the material expands or contracts.



27. Secure the piece to the channel batten using deck screws through the side tab of the piece, as shown in illustration 44.

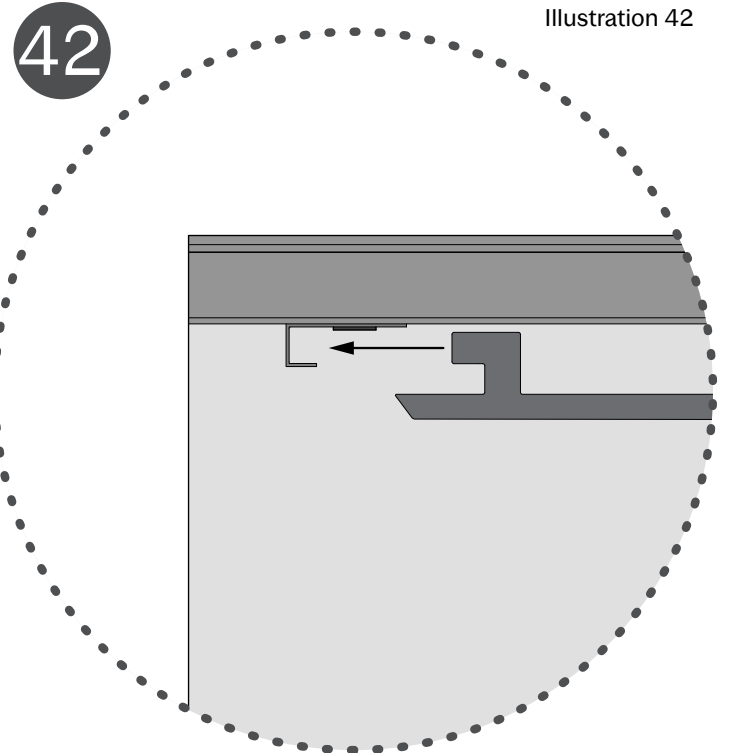


Illustration 42

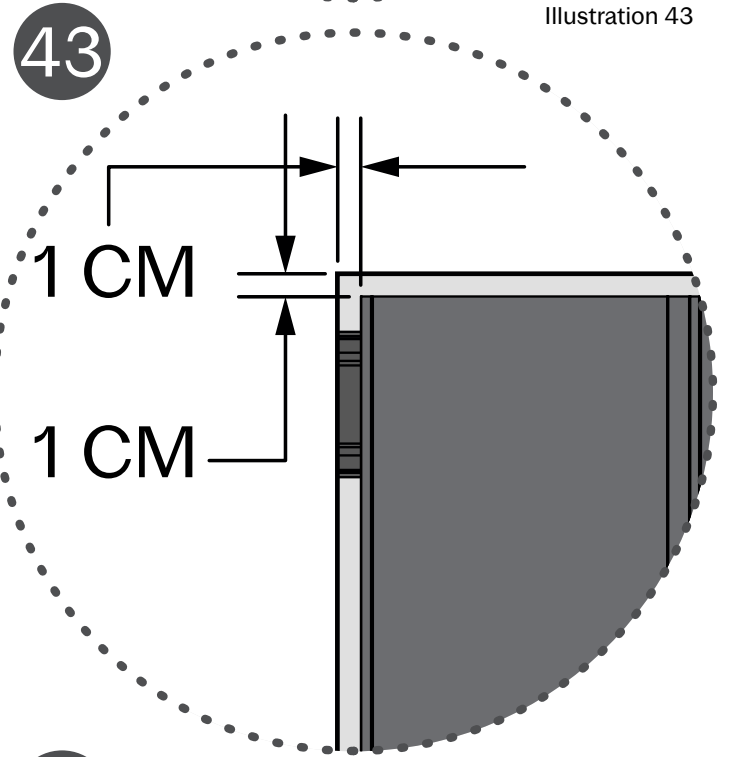


Illustration 43

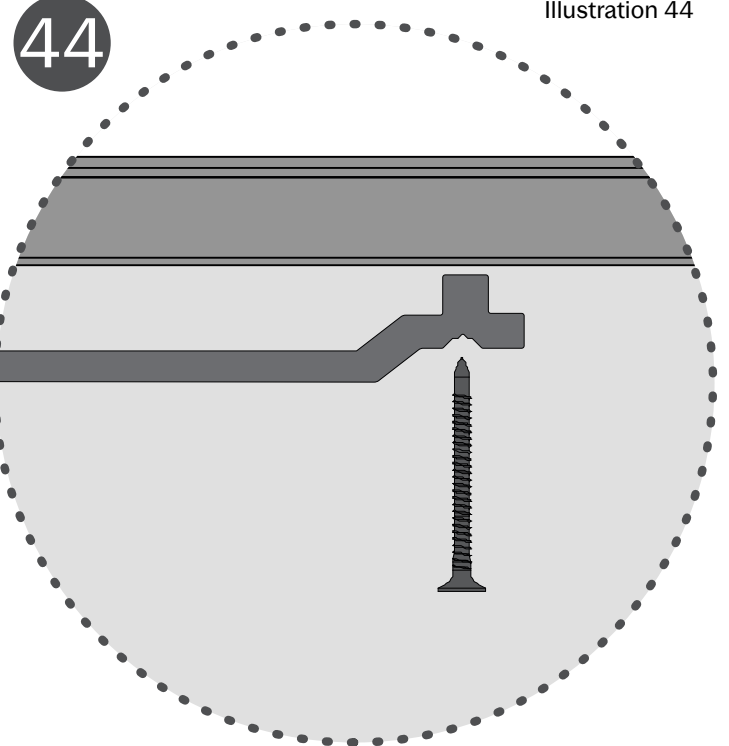
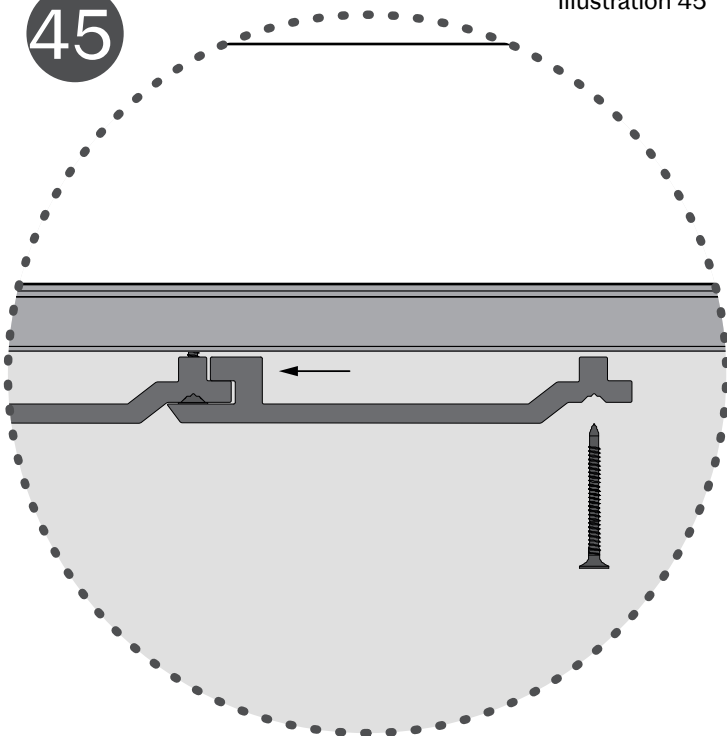


Illustration 44

45

Illustration 45

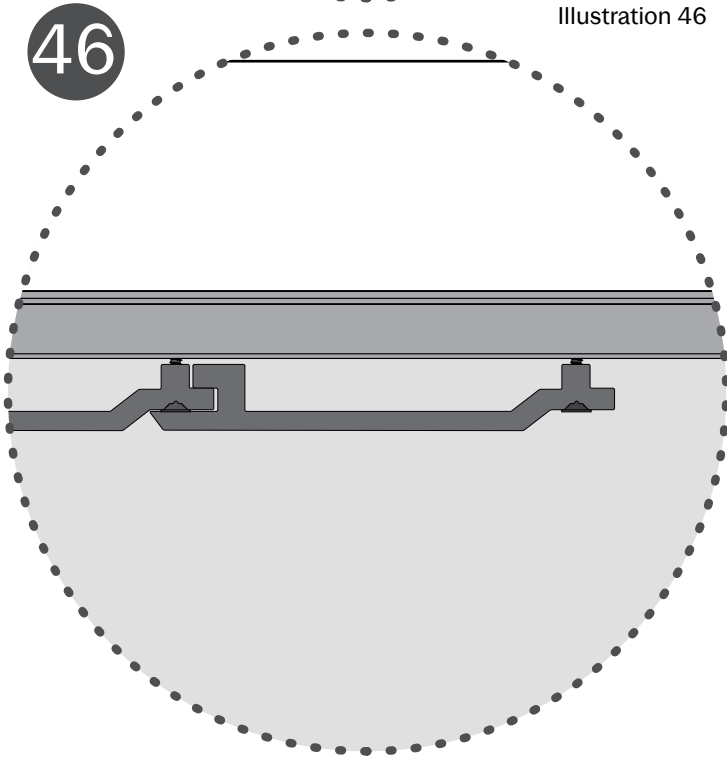


28. We will position the next wall cladding piece by fitting the rear tab into the side tab of the previously secured piece. (Illustration 45).

29. Secure the piece to each channel batten using deck screws through the side tab of the piece, just as done in Step 27 (Illustrations 45 & 46).

46

Illustration 46



Tools



30. We continue installing the remaining pieces by repeating Steps 28 and 29.

If you need to make any cuts in the pieces, you can refer to the instructions and recommendations mentioned in Steps 8, 9, 10, and 15.

Tools



Illustration 47

47



SARO  TECH